



### Manual bathing ladder Carina Railing Telescopic

The Carina series is available in 3 main versions:

- without railing,
- with railing,
- telescopic with railing.

The bathing ladder CARINA telescopic is a manual operated swim ladder intended for entering the water from the transom platform. The ladder with fixed steps is manually deployed.

This version is designed as a telescopic version in order to reduce the box length when the space reservation is limited. This version is including folding handrailing.

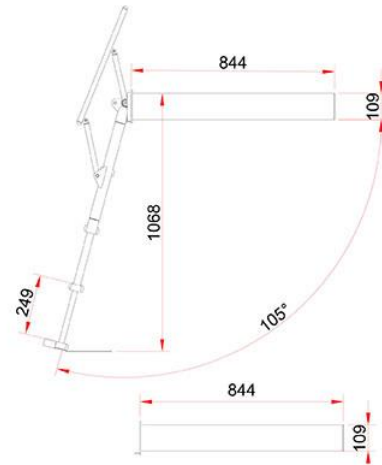
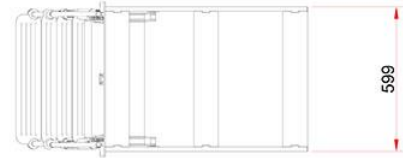
- SWL 120kg at the end, unsupported free hanging.
- Version with 4 or 5 steps.
- AISI 316 stainless steel trunk without finishing, not watertight.
- The top cover plate of the trunk is removable for service access.
- The frame is made of high gloss polished AISI 316 stainless steel.
- Teak wooden steps.
- Mechanic security block during sailing.
- Possibility for customization to individual needs within certain limits.



**Swissway Marine Holland B.V.**

Edisonstraat 22b NL-8912 AW Leeuwarden T +31 (0)88 4570 478 [www.swissway.pro](http://www.swissway.pro) [info@swissway.pro](mailto:info@swissway.pro)  
KvK nr. 70554528 VAT nr. NL858372320B01 IBAN nr. NL58 INGB000 8278 023

3D typical view



MOD.	STEPS	COD.	L	LB	HB	WB	C	KG.	S.W.L.
2+2	4	CRT-30-4	1024	858	110	600	493	31	120 Kg.
3+2	5	CRT-30-5	1274	1108	110	600	493	36	120 Kg.
4+2	6	CRT-30-6	1524	1358	110	600	493	37	120 Kg.

**Swissway Marine Holland B.V.**